

MED-100 Low Profile/Omni-Directional Industrial Foot Switches

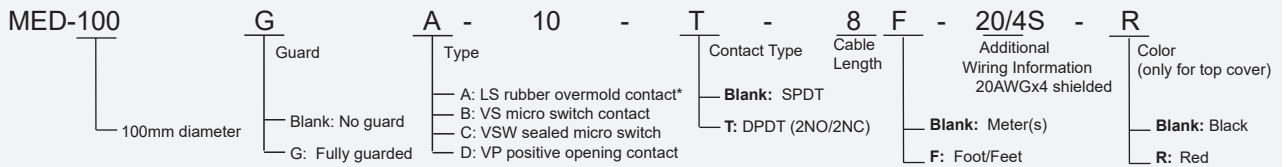
Features

- 360° actuation
- High mechanical stability
- Plastic body
- Custom color available

Specifications

Operating Frequency	60 ops/min
Insulation Resistance	>100MΩ@500V DC
Contact Resistance	<25mΩ (initial)
Rated Current/Voltage	LS: 5A 120VAC V: 10A 125/250VAC
Dielectric Strength	1000VAC for 1 min between current carrying parts 2500VAC for 1 min between non-current carrying parts
Service Life	1 x 10 ⁵ (operations)
Operating Temperature	-20~+80°C (-4~176°F)
Degree of Protection	IP20/IP68

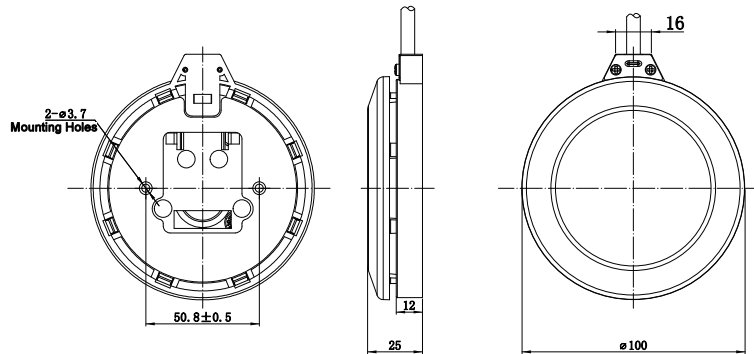
Selection Guide:



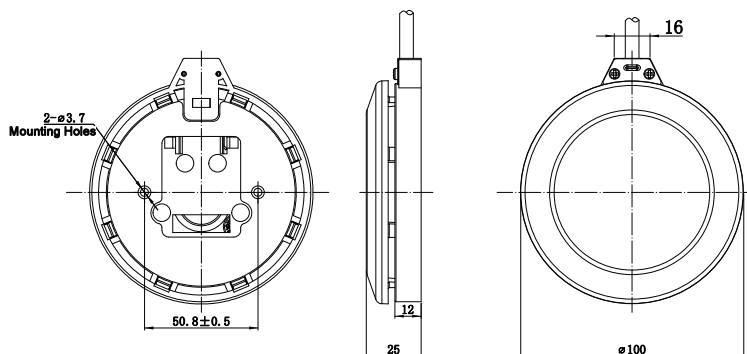
* LS is not available for T(DPDT)

Dimensions:

MED-100



MED-100R



MED-145 Low Profile/Omni-Directional Industrial Foot Switches

Features

- 360° actuation
- High mechanical stability
- Metal body
- Custom color available

Specifications

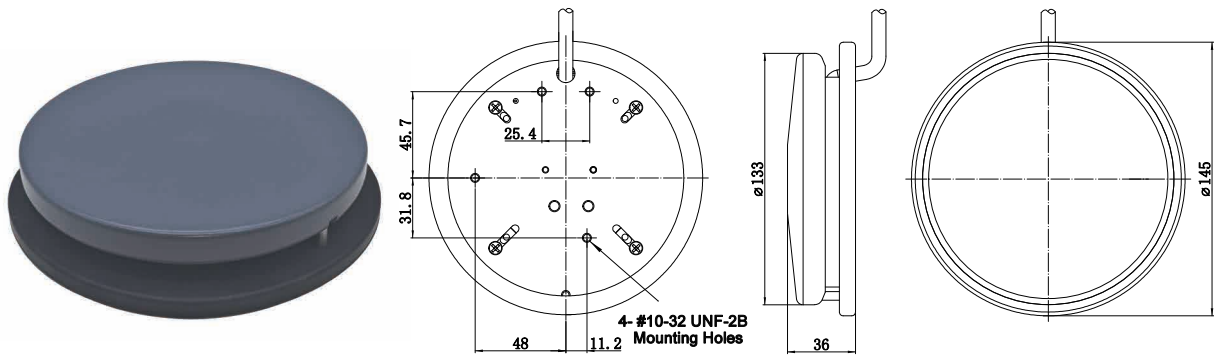
Operating Frequency	60 ops/min
Insulation Resistance	>100MΩ@500V DC
Contact Resistance	<25mΩ (initial)
Rated Current/Voltage	10A: 1/2HP 125/250VAC; 15A: 3/4HP 125VAC, 1-1/2HP 250VAC 20A: 1-1/2HP 125VAC, 2HP 250VAC 25A: 1-1/2HP 125VAC, 2HP 250VAC
Dielectric Strength	1000VAC for 1 min between current carrying parts 2500VAC for 1 min between non-current carrying parts
Service Life	1 x 10 ⁶ (operations)
Operating Temperature	-20~+80°C (-4~176°F)
Degree of Protection	IP20/IP68

Selection Guide:

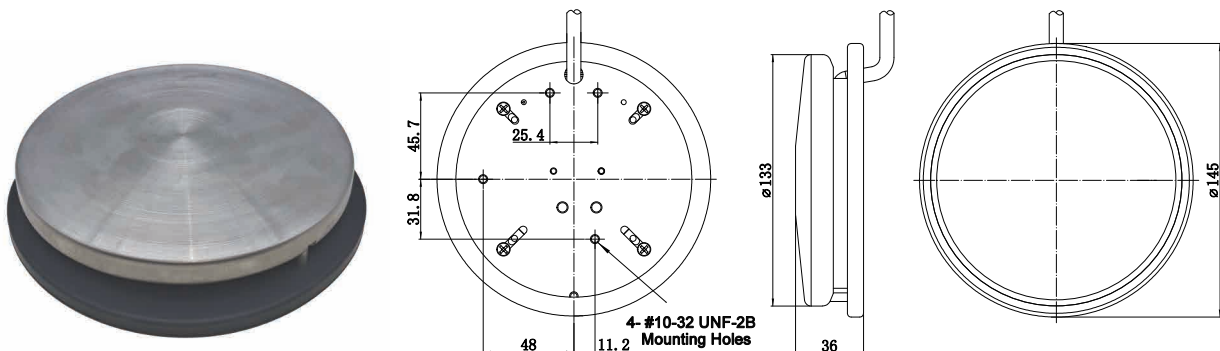
MED-145	G	A	-	10	-	S	-	T	-	B	-	8	-	F	-	20/4S
145mm diameter	Guard	Type		Rated Current		Enclosure Type		Contact Type		Cable Length				Additional Wiring Information		20AWGx4 shielded
		A: Z series microswitch B: ZS series sealed microswitch C: VS series microswitch D: VSW series sealed microswitch E: ZD series dual contact microswitch		10: 10A 15: 15A 20: 20A 25: 25A		Blank: Steel S: Stainless Steel		Blank: SPDT T: DPDT (2NO/2NC)		Blank: Cable side exit B: Cable bottom exit				Blank: Meter(s) F: Foot/Feet		
	Blank: No guard G: Fully guarded															

Dimensions:

MED-145-B



MED-145-S-B



MED-145 Low Profile/Omni-Directional Industrial Foot Switches

Dimensions:

